

TRITON



BUY ANY
TRITON
HYDRAULIC CHUCK | **GET A**
FREE
REDUCTION SLEEVE



I.D. sizes of 1/2" or 12mm and above are
H-Locked* with our patented TTG-594 compound

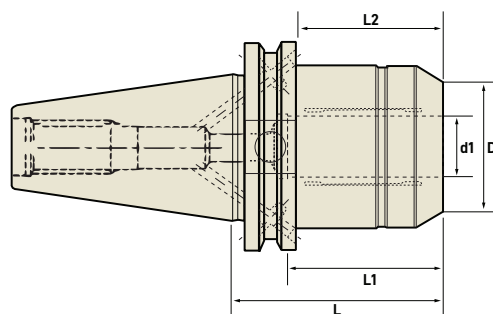
***The World's Strongest Gripping Force of ANY Hydraulic Chuck**

Offer Expires: 12/31/24



FEATURES

- 3.5X clamping force of standard hydraulic chucks
- 74% thicker bore walls improve rigidity in heavy material removal applications
- Excellent vibration dampening properties enhances surface finish and extends tool life



CAT 40 TRITON HYDRAULIC CHUCKS

| Part No. | Description | d1 | D1 | L | L1 | L2 | Thread |
|----------|-------------------------------------|------|--------|---------|--------|-------|--------|
| 254750 | CAT40 x 3/4" - 2.54" Triton Chuck | 3/4" | 1.94" | 2.54" | 1.79" | 1.89" | M8x1.0 |
| 354750 | CAT40 x 3/4" - 4" Triton Chuck | 3/4" | 1.94" | 4" | 3.25" | 1.89" | M8x1.0 |
| 254020 | CAT40 x 20mm - 64.5mm Triton Chuck | 20mm | 49.2mm | 64.5mm | 45.4mm | 48mm | M8x1.0 |
| 354020 | CAT40 x 20mm - 101.6mm Triton Chuck | 20mm | 49.2mm | 101.6mm | 82.6mm | 48mm | M8x1.0 |

CAT40 TRITON HYDRAULIC CHUCKS **DUALDRIVE**

| Part No. | Description | d1 | D1 | L | L1 | L2 | Thread |
|----------|--|------|--------|---------|--------|-------|--------|
| 264750 | CAT40 x 3/4" - 2.54" Triton Chuck w/ DualDRIVE | 3/4" | 1.94" | 2.54" | 1.79" | 1.89" | M8x1.0 |
| 364750 | CAT40 x 3/4" - 4" Triton Chuck w/ DualDRIVE | 3/4" | 1.94" | 4" | 3.25" | 1.89" | M8x1.0 |
| 264020 | CAT40 x 20mm - 64.5mm Triton Chuck w/ DualDRIVE | 20mm | 49.2mm | 64.5mm | 45.4mm | 48mm | M8x1.0 |
| 364020 | CAT40 x 20mm - 101.6mm Triton Chuck w/ DualDRIVE | 20mm | 49.2mm | 101.6mm | 82.6mm | 48mm | M8x1.0 |

CAT50 TRITON HYDRAULIC CHUCKS

| Part No. | Description | d1 | D1 | L | L1 | L2 | Thread |
|----------|-------------------------------------|--------|-------|---------|---------|--------|--------|
| 255750 | CAT50 x 3/4" - 3.19" Triton Chuck | 3/4" | 1.94" | 3.19" | 2.44" | 1.89" | M8x1.0 |
| 255125 | CAT50 x 1-1/4" - 3.19" Triton Chuck | 1-1/4" | 2.84" | 3.19" | 2.44" | 2.24" | M8x1.0 |
| 355125 | CAT50 x 1-1/4" - 6" Triton Chuck | 1-1/4" | 2.84" | 6" | 5.25" | 2.24" | M8x1.0 |
| 255032 | CAT50 x 32mm - 81mm Triton Chuck | 32mm | 72mm | 81mm | 61.9mm | 48mm | M8x1.0 |
| 355032 | CAT50 x 32mm - 152.4mm Triton Chuck | 32mm | 72mm | 152.4mm | 133.4mm | 56.5mm | M8x1.0 |



pg. 229

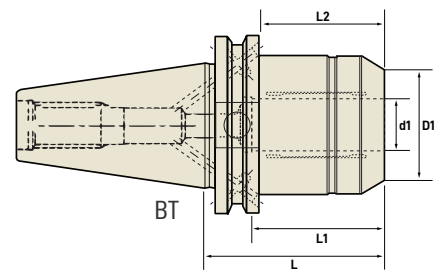
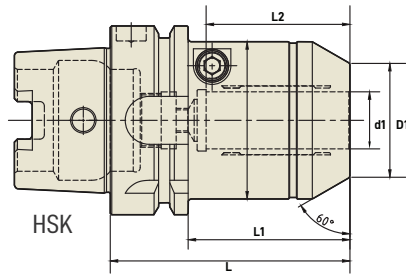


pg. 236



pg. 238

TRITON HYDRAULIC HOLDERS



HSK63A TRITON HYDRAULIC CHUCKS

| Part No. | Description | d1 | D1 | L | L1 | L2 | Thread |
|----------|------------------------------------|------|--------|-------|-------|-------|--------|
| 257750 | HSK63A x 3/4" - 3.15" Triton Chuck | 3/4" | 2.07" | 3.15" | 2.13" | 1.89" | M8x1.0 |
| 357750 | HSK63A x 3/4" - 5.12" Triton Chuck | 3/4" | 2.07" | 5.12" | 4.09" | 1.89" | M8x1.0 |
| 257020 | HSK63A x 20mm - 80mm Triton Chuck | 20mm | 52.5mm | 80mm | 54mm | 48mm | M8x1.0 |

HSK100A TRITON HYDRAULIC CHUCKS

| Part No. | Description | d1 | D1 | L | L1 | L2 | Thread |
|----------|---------------------------------------|--------|--------|-------|-------|-------|--------|
| 259125 | HSK100A x 1-1/4" - 3.94" Triton Chuck | 1-1/4" | 2.3" | 5.12" | 3.98" | 2.24" | M8x1.0 |
| 259020 | HSK100A x 20mm - 90mm Triton Chuck | 20mm | 52.5mm | 90mm | 61mm | 48mm | M8x1.0 |
| 259032 | HSK100A x 32mm - 100mm Triton Chuck | 32mm | 58.5mm | 100mm | 80mm | 57mm | M8x1.0 |

BT30 TRITON HYDRAULIC CHUCKS

| Part No. | Description | d1 | D1 | L | L1 | L2 | Thread |
|----------|----------------------------------|------|-------|-------|-------|-------|--------|
| 253750 | BT30 x 3/4" - 3.54" Triton Chuck | 3/4" | 1.65" | 3.54" | 2.68" | 1.89" | M8x1.0 |
| 253020 | BT30 x 20mm - 90mm Triton Chuck | 20mm | 42mm | 90mm | 68mm | 48mm | M8x1.0 |

BT30 TRITON HYDRAULIC CHUCKS **DUALDRIVE**

| Part No. | Description | d1 | D1 | L | L1 | L2 | Thread |
|----------|--|------|-------|-------|-------|-------|--------|
| 263750 | BT30 x 3.4" - 3.54" Triton Chuck w/DualDRIVE | 3/4" | 1.65" | 3.54" | 2.68" | 1.89" | M8x1.0 |
| 263020 | BT30 x 20mm - 90mm Triton Chuck w/ DualDRIVE | 20mm | 42mm | 90mm | 68mm | 48mm | M8x1.0 |

BT40 TRITON HYDRAULIC CHUCKS

| Part No. | Description | d1 | D1 | L | L1 | L2 | Thread |
|----------|-----------------------------------|------|--------|--------|--------|-------|--------|
| 256750 | BT40 x 3.4" - 2.85" Triton Chuck | 3/4" | 1.94" | 2.85" | 1.79" | 1.89" | M8x1.0 |
| 256020 | BT40 x 20mm - 72.5mm Triton Chuck | 20mm | 49.2mm | 72.5mm | 45.5mm | 48mm | M8x1.0 |

BT40 TRITON HYDRAULIC CHUCKS **DUALDRIVE**

| Part No. | Description | d1 | D1 | L | L1 | L2 | Thread |
|----------|--|------|--------|--------|-------|-------|--------|
| 266750 | BT40 x 3.4" - 2.85" Triton Chuck w/ DualDRIVE | 3/4" | 1.94" | 2.85" | 1.79" | 1.89" | M8x1.0 |
| 266020 | BT40 x 20mm - 72.5mm Triton Chuck w/ DualDRIVE | 20mm | 49.2mm | 72.5mm | 1.79" | 1.89" | M8x1.0 |



REDUCTION SLEEVES FOR HYDRAULIC CHUCKS

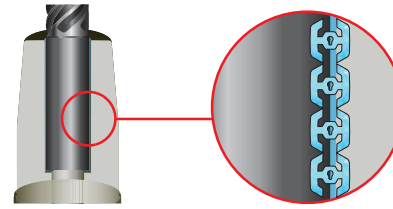


FEATURES

- I.D. sizes of 1/2" or 12mm and above are **H-LOCKED** with our patented TEG-594 compound to create the world's strongest gripping force of any hydraulic chuck
- Maximum 0.0001" T.I.R.
- Sealed for coolant-through applications

H-LOCKED WITH TEG-594™

Unleash the full power of your CNC machine and cutting tool with the strongest gripping connection.



Our proprietary TEG-594 compound is embedded in the I.D. bore of the sleeve, creating millions of microscopic teeth adding bite to the cutting tool/tool holder connection.

1/2" O.D. Reduction Sleeves

| Part No. | Description, O.D. - I.D. |
|----------|-------------------------------|
| 620108 | 1/2" - 1/8" Reduction Sleeve |
| 620104 | 1/2" - 1/4" Reduction Sleeve |
| 620316 | 1/2" - 3/16" Reduction Sleeve |
| 620516 | 1/2" - 5/16" Reduction Sleeve |

20mm O.D. Reduction Sleeves

| Part No. | Description, O.D. - I.D. |
|----------|-------------------------------|
| 820030 | 20mm - 3mm Reduction Sleeve |
| 820040 | 20mm - 4mm Reduction Sleeve |
| 820050 | 20mm - 5mm Reduction Sleeve |
| 820060 | 20mm - 6mm Reduction Sleeve |
| 820080 | 20mm - 8mm Reduction Sleeve |
| 820100 | 20mm - 10mm Reduction Sleeve |
| 820120 | 20mm - 12mm Reduction Sleeve |
| 820140 | 20mm - 14mm Reduction Sleeve |
| 820160 | 20mm - 16mm Reduction Sleeve |
| 520108 | 20mm - 1/8" Reduction Sleeve |
| 520316 | 20mm - 3/16" Reduction Sleeve |
| 520104 | 20mm - 1/4" Reduction Sleeve |
| 520516 | 20mm - 5/16" Reduction Sleeve |
| 520308 | 20mm - 3/8" Reduction Sleeve |
| 520102 | 20mm - 1/2" Reduction Sleeve |
| 520508 | 20mm - 5/8" Reduction Sleeve |

*Blue shade = **H-LOCKED**

1-1/4" O.D. Reduction Sleeves

| Part No. | Description, O.D. - I.D. |
|----------|---------------------------------|
| 632108 | 1-1/4" - 1/8" Reduction Sleeve |
| 632316 | 1-1/4" - 3/16" Reduction Sleeve |
| 632104 | 1-1/4" - 1/4" Reduction Sleeve |
| 632516 | 1-1/4" - 5/16" Reduction Sleeve |
| 632308 | 1-1/4" - 3/8" Reduction Sleeve |
| 632102 | 1-1/4" - 1/2" Reduction Sleeve |
| 632508 | 1-1/4" - 5/8" Reduction Sleeve |
| 632304 | 1-1/4" - 3/4" Reduction Sleeve |
| 632100 | 1-1/4" - 1" Reduction Sleeve |
| 632787 | 1-1/4" - 20mm Reduction Sleeve |
| 632984 | 1-1/4" - 25mm Reduction Sleeve |

*Blue shade = **H-LOCKED**

32mm O.D. Reduction Sleeves

| Part No. | Description, O.D. - I.D. |
|----------|------------------------------|
| 832060 | 32mm - 6mm Reduction Sleeve |
| 832080 | 32mm - 8mm Reduction Sleeve |
| 832100 | 32mm - 10mm Reduction Sleeve |
| 832120 | 32mm - 12mm Reduction Sleeve |
| 832140 | 32mm - 14mm Reduction Sleeve |
| 832160 | 32mm - 16mm Reduction Sleeve |
| 832180 | 32mm - 18mm Reductino Sleeve |
| 832200 | 32mm - 20mm Reduction Sleeve |
| 832250 | 32mm - 25mm Reduction Sleeve |

*Blue shade = **H-LOCKED**

3/4" O.D. Reduction Sleeves

| Part No. | Description, O.D. - I.D. |
|----------|-------------------------------|
| 625108 | 3/4" - 1/8" Reduction Sleeve |
| 625316 | 3/4" - 3/16" Reduction Sleeve |
| 625104 | 3/4" - 1/4" Reduction Sleeve |
| 625516 | 3/4" - 5/16" Reduction Sleeve |
| 625308 | 3/4" - 3/8" Reduction Sleeve |
| 625716 | 3/4" - 7/16" Reduction Sleeve |
| 625102 | 3/4" - 1/2" Reduction Sleeve |
| 625508 | 3/4" - 5/8" Reduction Sleeve |
| 625003 | 3/4" - 3mm Reduction Sleeve |
| 625004 | 3/4" - 4mm Reduction Sleeve |
| 625005 | 3/4" - 5mm Reduction Sleeve |
| 625006 | 3/4" - 6mm Reduction Sleeve |
| 625008 | 3/4" - 8mm Reduction Sleeve |
| 625010 | 3/4" - 10mm Reduction Sleeve |
| 625012 | 3/4" - 12mm Reduction Sleeve |
| 625014 | 3/4" - 14mm Reduction Sleeve |
| 625016 | 3/4" - 16mm Reduction Sleeve |

*Blue shade = **H-LOCKED**